

9 LED INDICATION

CDX-AM		CDX-NAM		CDX-DAM	
Red					
DETECTOR CONDITION	LED INDICATOR				
Warm-up					
Alarm					
Trouble output	Anti-masking detection				
	Local Self test				
	Remote Self test				
	Low voltage detection				

CDX-AM		CDX-NAM		CDX-DAM	
Yellow Red Green					
DETECTOR CONDITION	LED INDICATOR				
Warm-up					
Alarm					
PIR detection					
MW detection					
Trouble output	Anti-masking detection				
	Local Self test				
	Remote Self test				
	Low voltage detection				

10 SPECIFICATIONS

Model	CDX-NAM	CDX-AM	CDX-DAM
Detection method	Passive infrared		Passive infrared & Microwave
Detector standard	EN50131-2-2 (Grade 3)		EN50131-2-4 (Grade 3)
Masking detection method	AIR type		
PIR Coverage [Detection zones]	24m x 2m (80ft. x 7ft.) narrow [20 zones]	15m x 15m (50ft. x 50ft.) 85° wide [82 zones]	
Power supply	9 - 18VDC		
Current consumption	17mA (normal) / 20mA (max.) at 12V DC		19mA (normal) / 26mA (max.) at 12V DC
Alarm output	N.C. 28V DC 0.2A max.		
Tamper switch	N.C. Opens when cover is removed or the wall tamper switch operates. 28V DC 0.1A max.		
Trouble output	N.C. 28V DC 0.2A max.		
Operating temperature	-10°C - +50°C (14°F - 122°F)		
Environmental humidity	95% max.		
RF interference	No alarm 10V/m		
Mounting height	1.8 - 2.4m (6ft. - 8ft.)		
Weight	180g (6.3oz)		
Dimensions (HxWxD)	140x70x52.3mm (5.51x2.76x2.06 inches)		

* Specifications and design are subject to change without prior notice.

OPTION

- FA-1W: Wall Mount Bracket
Adjustable ±45° (Horizontally), 0-20° (Vertically downwards)
- FA-3: Compact Wall & Ceiling Bracket
Adjustable ±45° (Horizontally), 0-10° (Vertically downwards)

COMPLIANCE

- CDX series complies with following Directives / Standards.
Directive: EMC Directive 2004/108/EC
Applied Standards: EN 50130-4: 1995 +A1: 1998 +A2: 2003 EN 55022: 2006
EN50131-1 Grades and Environmental Class:
Environmental Class 2 and Security Grade 3.
Applied Standards: EN 50131-2-2 (CDX-NAM / CDX-AM) EN 50131-2-4 (CDX-DAM)
- CDX DAM also complies with following Directives / Standards marked **CE0560** Class II,
Directive: R&TTE Directive 1999/5/EC
Applied Standards: EN 300 440-1: 2009 EN 300 440-2: 2009 EN 301 489-1: 2008 EN 301 489-3: 2002 EN 50371: 2002 EN 60950-1: 2006 +A11: 2009

The following table indicates the areas of intended use of the equipment and any known restrictions. For countries not included in this list, please consult the responsible Spectrum Management Agency.

Country of intended use	Restrictions	Country of intended use	Restrictions
Austria	9.900GHz	Luxembourg	10.525GHz
Belgium	10.525GHz	The Netherlands	10.525GHz
Denmark	10.525GHz	Spain	10.525GHz
Finland	9.900GHz	Sweden	10.525GHz
France	10.587GHz	United Kingdom	10.587GHz
Greece	10.525GHz	Other non-EU: Iceland	10.525GHz
Ireland	10.587GHz	Norway	10.525GHz
Italy	10.525GHz	Switzerland	10,525GHz

FCC ID: DC9 OPMW IC: 4012A-OPMW

This device complies with Part 15 of the FCC Rules. Operation is subject to the following two conditions:

- (1) This device may not cause harmful interference.
- (2) This device must accept any interference received, including interference that may cause undesired operation.

NOTE

CDX series is only a part of a complete system, therefore we cannot accept complete responsibility for any damages or other consequences resulting from an intrusion.



OPTEX CO., LTD. (JAPAN)
(ISO9001 Certified) (ISO14001 Certified)
5-8-12 Ogoto Otsu Shiga 520-0101 JAPAN
TEL: +81-77-579-8670 FAX: +81-77-579-8190
URL: <http://www.optex.co.jp/>

OPTEX INCORPORATED (USA)
TEL: +1-909-993-5770
Tech: (800)966-7839
URL: <http://www.optexamerica.com/>

OPTEX (EUROPE) LTD. (UK)
TEL: +44-1628-631000
URL: <http://www.optex-europe.com/>

OPTEX SECURITY SAS (FRANCE)
TEL: +33-437-55-50-50
URL: <http://www.optex-security.com/>

OPTEX SECURITY Sp. zo. o. (POLAND)
TEL: +48-22-598-05-55
URL: <http://www.optex.com.pl/>

OPTEX KOREA CO., LTD. (KOREA)
TEL: +82-2-719-5971
URL: <http://www.optexkorea.com/>

OPTEX (DONGGUAN) CO., LTD.
SHANGHAI OFFICE (CHINA)
TEL: +86-21-34600673
URL: <http://www.optexchina.com/>



No.59-1900-1

INSTALLATION INSTRUCTIONS



Grade 3 INDOOR DETECTOR CDX series

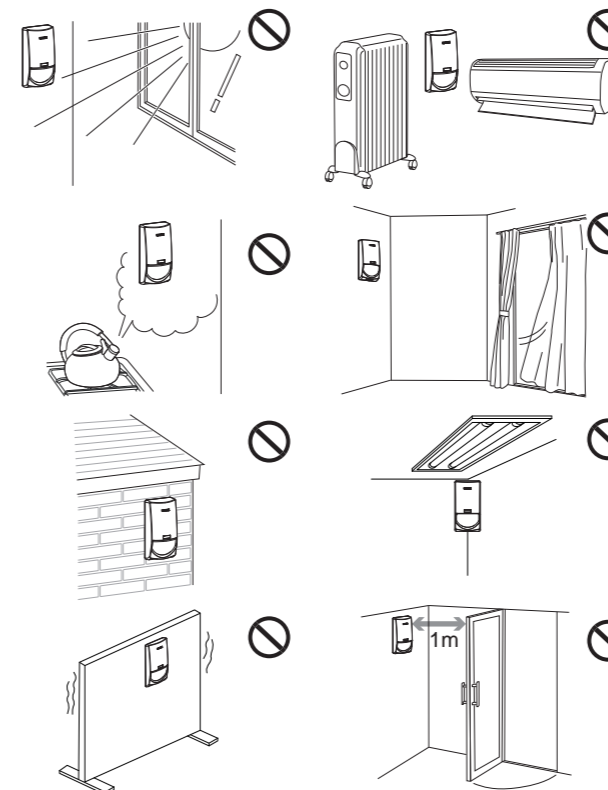
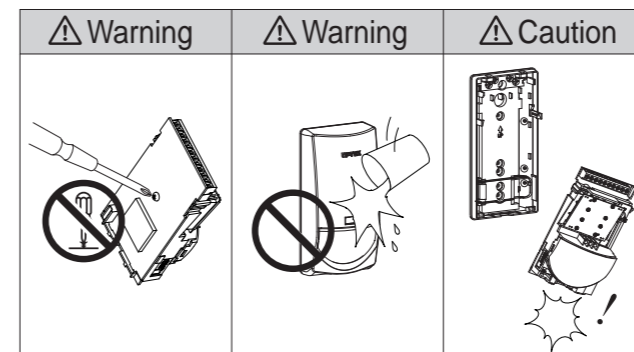
- 15m (50ft.) Wide Angle with Down Zone (CDX-AM/CDX-DAM)
- 24m (80ft.) Long Range (CDX-NAM)
- Respected Double Conductive Shielding (CDX-AM/CDX-NAM) - Extremely High Light and RF Immunity
- Extreme Tough Microwave Module (CDX-DAM)
- PLUG-IN EOL Resistors (PEU)
- Advanced IR Beam Anti-Masking Technology

CDX-AM	PIR with active IR anti-masking (Grade 3)
CDX-NAM	CDX-AM with long and narrow lens (Grade 3)
CDX-DAM	PIR & Microwave with active IR anti-masking (Grade 3)

COMPLIANCE

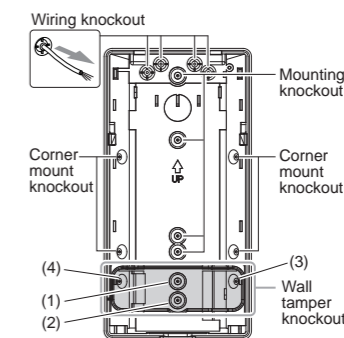


1 INSTALLATION HINTS



- This symbol indicates prohibition.
- This symbol indicates recommendation.

2 KNOCKOUTS

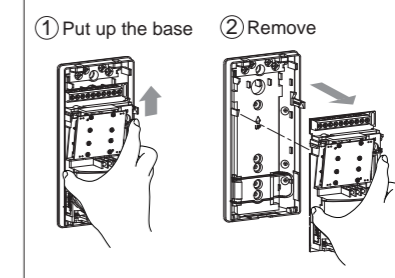


When using a wall tamper >>
Use the knockout for a wall tamper. If the main unit is taken from the wall, the gray section will break away and stay on the wall and the tamper switch will operate.
When installing on a plaster board wall or other soft material, cut out the gray area from the back plate.

Note >>

- Use both knockouts (1) and (2) with included screws. (Self tapping 3 X 16 mm: 3 pcs.)
- For corner installation, use both knockouts (3) and (4) with included screws. (Self tapping 3 X 16 mm: 3 pcs.)

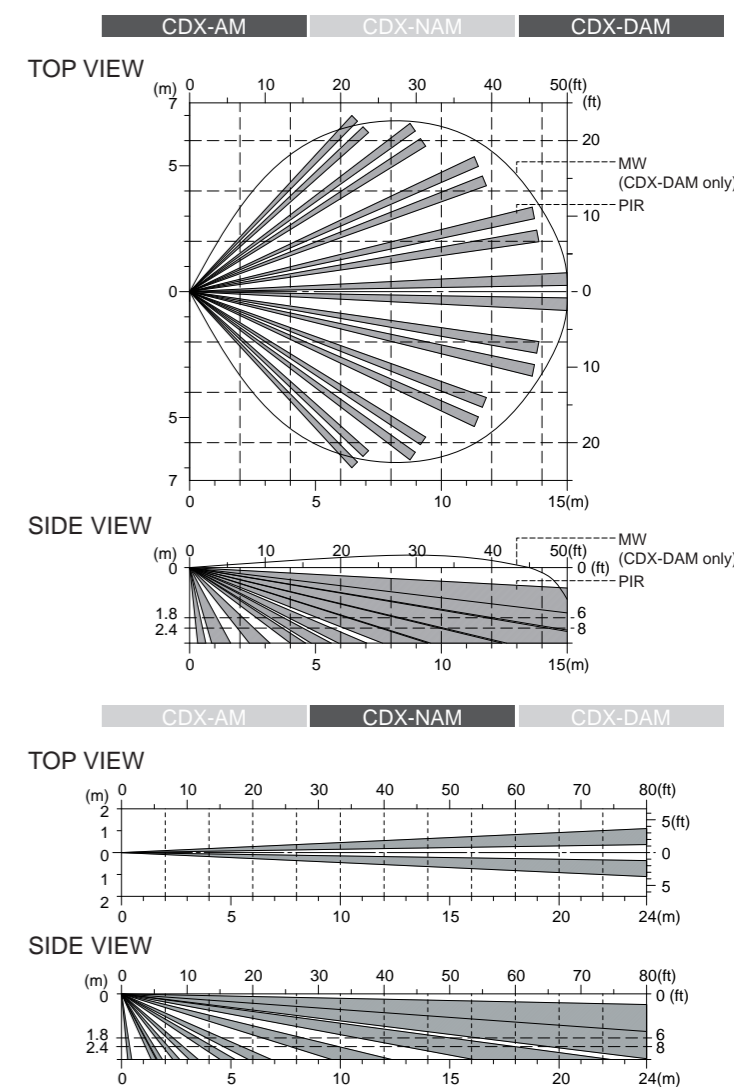
How to release the unit base >>



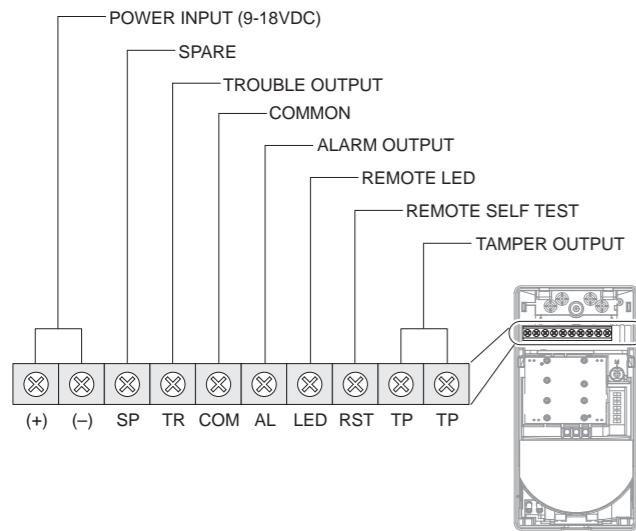
Caution >>

Do not touch the microwave unit to avoid breakdown caused by static electricity.

3 DETECTION AREA



4 WIRING

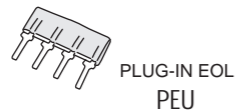


5 PLUG-IN End Of Line resistors (EOL)

When connecting to a control panel that supports the EOL technique

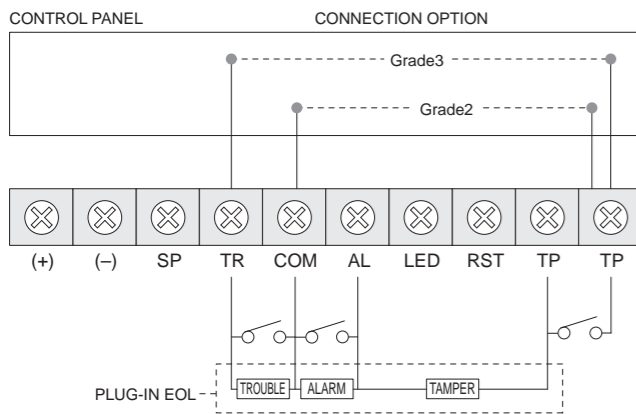
5-1 When setting the resistance value with using PLUG-IN EOL

Three types of signals – ALARM, TROUBLE and TAMPER – can be recognized through the combination of the resistance value and wires for the TR, COM and TP terminals.

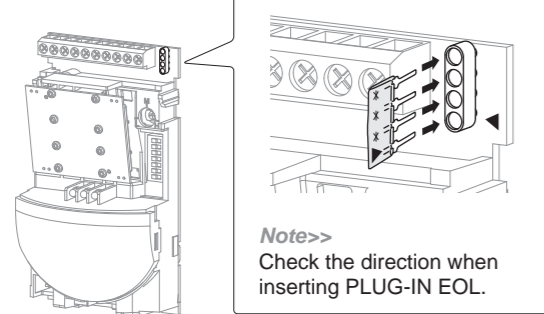


Caution>>

- There are several types of PLUG-IN EOL and the insertion direction differs depending on its type.



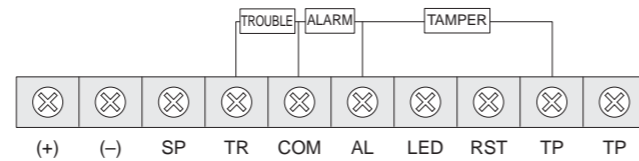
HOW TO SET



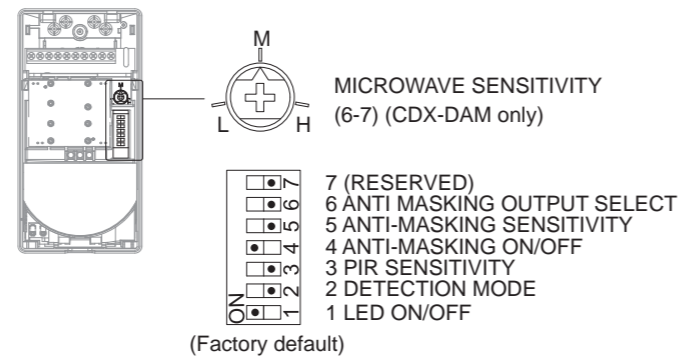
Note>>
Check the direction when inserting PLUG-IN EOL.

5-2 When setting the resistance value without using PLUG-IN EOL

Wire resistors between the appropriate terminals as follows:



6 SETTING



6-1 LED ON/OFF

CDX-AM	CDX-NAM	CDX-DAM
POSITION	FUNCTION	
ON (Factory default)	The LED lights when someone is detected.	
OFF	The LED does not light even if someone is detected.	

REMOTE LED (LED operation remote control) >>

CDX-AM	CDX-NAM	CDX-DAM
LED enabled	Connect LED terminal to 0 V	
LED disabled	No ground to LED terminal (open circuit)	

6-2 DETECTION MODE

CDX-AM	CDX-NAM	CDX-DAM
POSITION	FUNCTION	
SP	For use in hostile areas where small animals or other objects exist such as fax machines or curtains.	
STD (Factory default)	Suitable for standard applications	

6-3 PIR SENSITIVITY

CDX-AM	CDX-NAM	CDX-DAM
POSITION	FUNCTION	
HIGH	Suitable for site requires greater sensitivity	
STD (Factory default)	Suitable for standard applications	

6-4 ANTI-MASKING ON/OFF

CDX-AM	CDX-NAM	CDX-DAM
POSITION	FUNCTION	
ON (Factory default)	Enabled	
OFF	Disabled	

Note>>
When selecting ON, functions of 6-5 and 6-6 are activated.

6-5 ANTI-MASKING SENSITIVITY

CDX-AM	CDX-NAM	CDX-DAM
POSITION	FUNCTION	
HIGH	Suitable for site requires greater sensitivity	
STD (Factory default)	Suitable for standard applications	

6-6 ANTI-MASKING OUTPUT SELECT

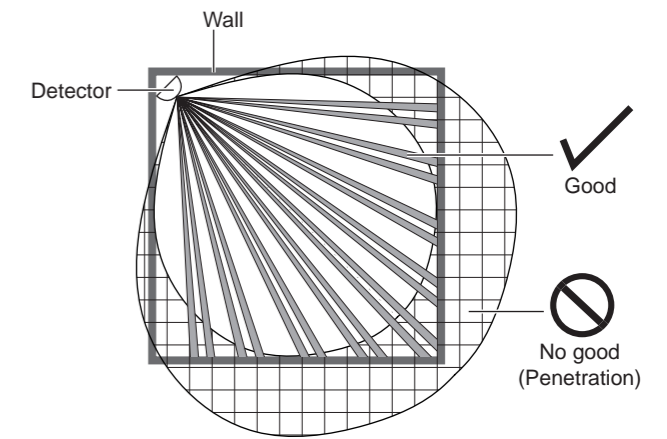
CDX-AM	CDX-NAM	CDX-DAM
The terminal that is output when anti-masking is detected can be switched with this switch.		
POSITION	OUTPUT TERMINAL	
	ALARM	TROUBLE
ON	A	A
OFF (Factory default)	N/A	A

Note>>
"A" means activate, "N/A" means not available.

6-7 MICROWAVE SENSITIVITY

CDX-AM	CDX-NAM	CDX-DAM
MW SENSITIVITY		
L	M	H
9m (30ft.)	12m (40ft.)	15m (50ft.)

Caution>>
The above distance indications are guide only. Do not set the MW sensitivity too low. This could cause a MW failure. It is important to adjust the sensitivity so that the MW and PIR detection areas are overlapping.



If the microwave sensitivity is set too high, it may detect movements outside of the detection area, resulting in false alarms. By creating a microwave detection area to conform to the PIR detection area, it achieves higher detection performance and preventing false alarms.

7 SELF TEST

This function checks the operation of detection ability of PIR and Microwave. This ensures that the unit is always working correctly.

7-1 LOCAL SELF TEST

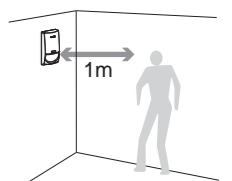
Local self test is controlled by the detector and runs periodically to test the functionality of the circuitry. If the local self test fails, the TROUBLE relay is activated and LEDs blink (see ⑨).

7-2 REMOTE SELF TEST

This test may be initiated by the control panel by applying 0V to the RST terminal. If the remote self test passes, the ALARM relay is activated for 5 seconds. If the test fails, the TROUBLE output is activated and the LEDs will blink (see ⑨).

7-3 WALK TEST

Keep at least 1 meter away from the detector and clear of any objects.



8 TROUBLE OUTPUT SUMMARY

Anti-masking detection	When an object is placed close to the lens surface for a period of more than 20 seconds, then the PIR Anti-Masking circuit will activate and generate a trouble signal.
Local Self test	Local self test is controlled by the detector and runs periodically to test the functionality of the circuitry. If the local self test fails, the TROUBLE relay is activated and LEDs blink (see ⑨).
Remote Self test	This test may be initiated by the control panel by applying 0V to the RST terminal. If the remote self test passes, the ALARM relay is activated for 5 seconds. If the test fails, the TROUBLE output is activated and the LEDs will blink (see ⑨).
Low voltage detection	When the power supply voltage drops, the low voltage detection circuit activates and outputs TROUBLE.